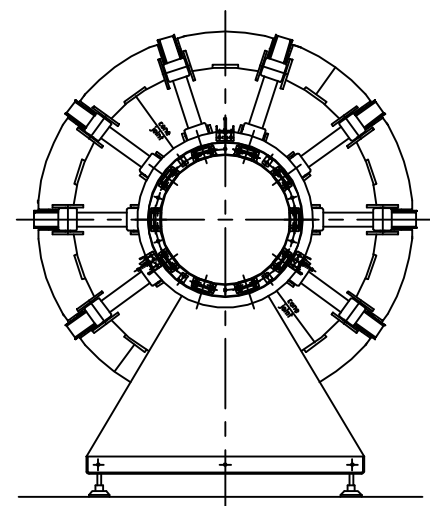
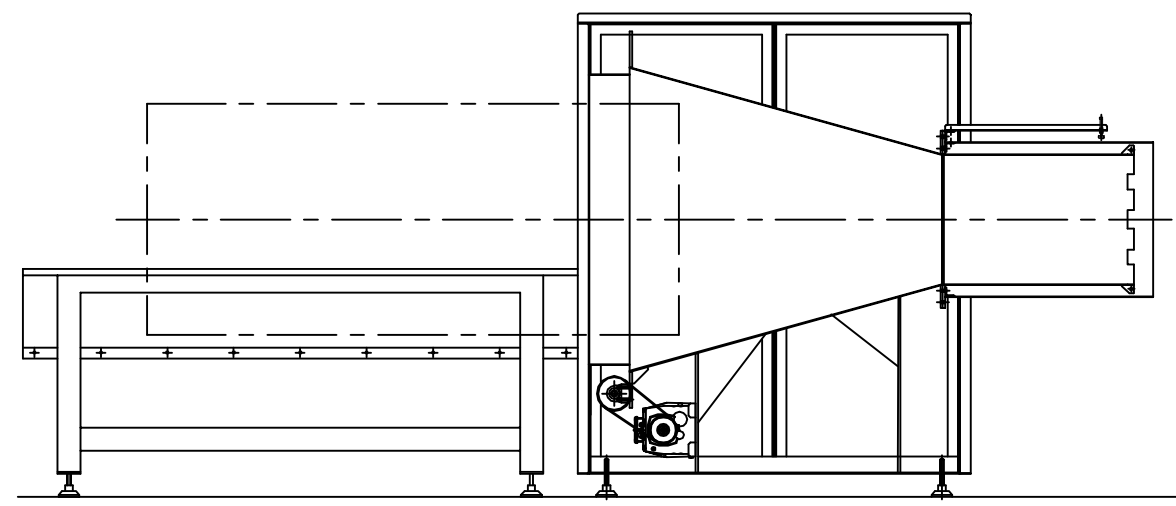


SIDE ELEVATION WITH GUARDS FITTED

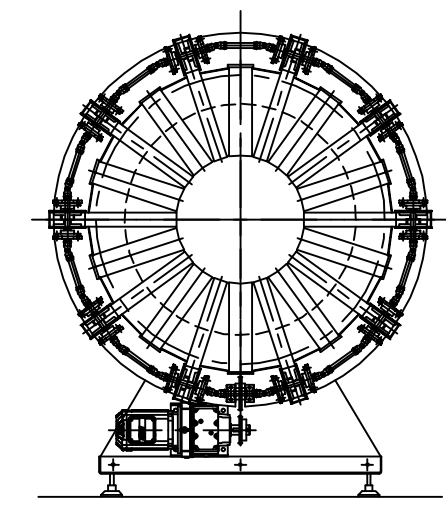
END ELEVATION WITH GUARDS FITTED ON ENTRY



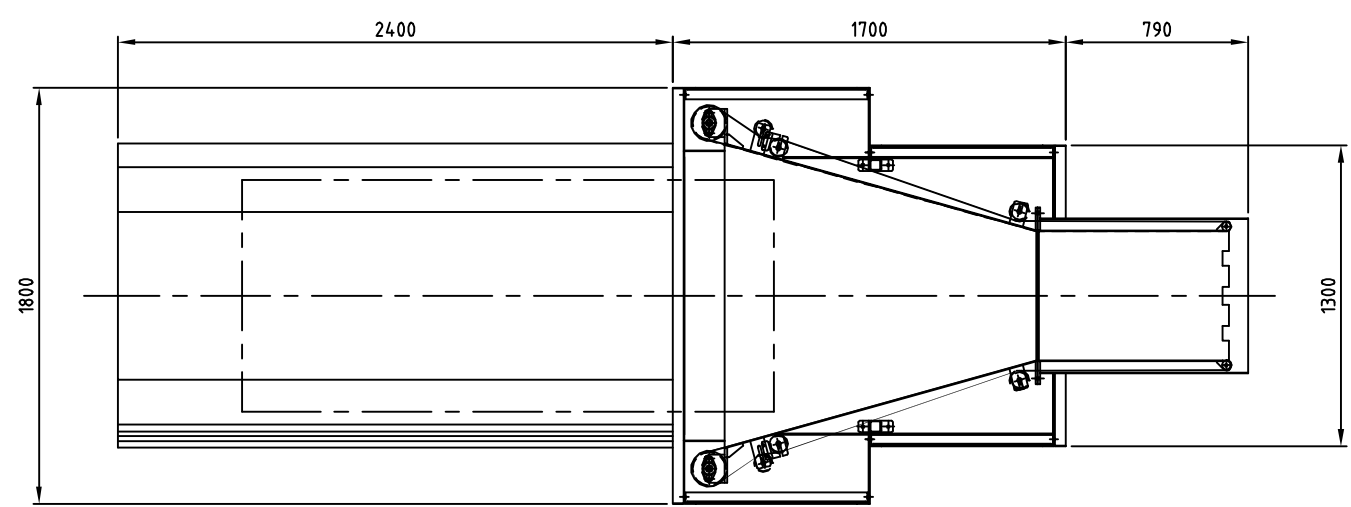
END EXIT ON ENTRY WITHOUT GUARDS



SECTIONAL ELEVATION



END ELEVATION ON ENTRY WITHOUT GUARDS



SECTIONAL PLAN WITH GUARDS FITTED

Itemref	Quantity	Title/Name, designation, material, dimension etc	Article No./Reference		
Designed by	Checked by	Approved by - date	Filename	Date	Scale
ROLL COMPRESSION UNIT		GENERAL ARRANGEMENT			
		J280/1		Edition	Sheet