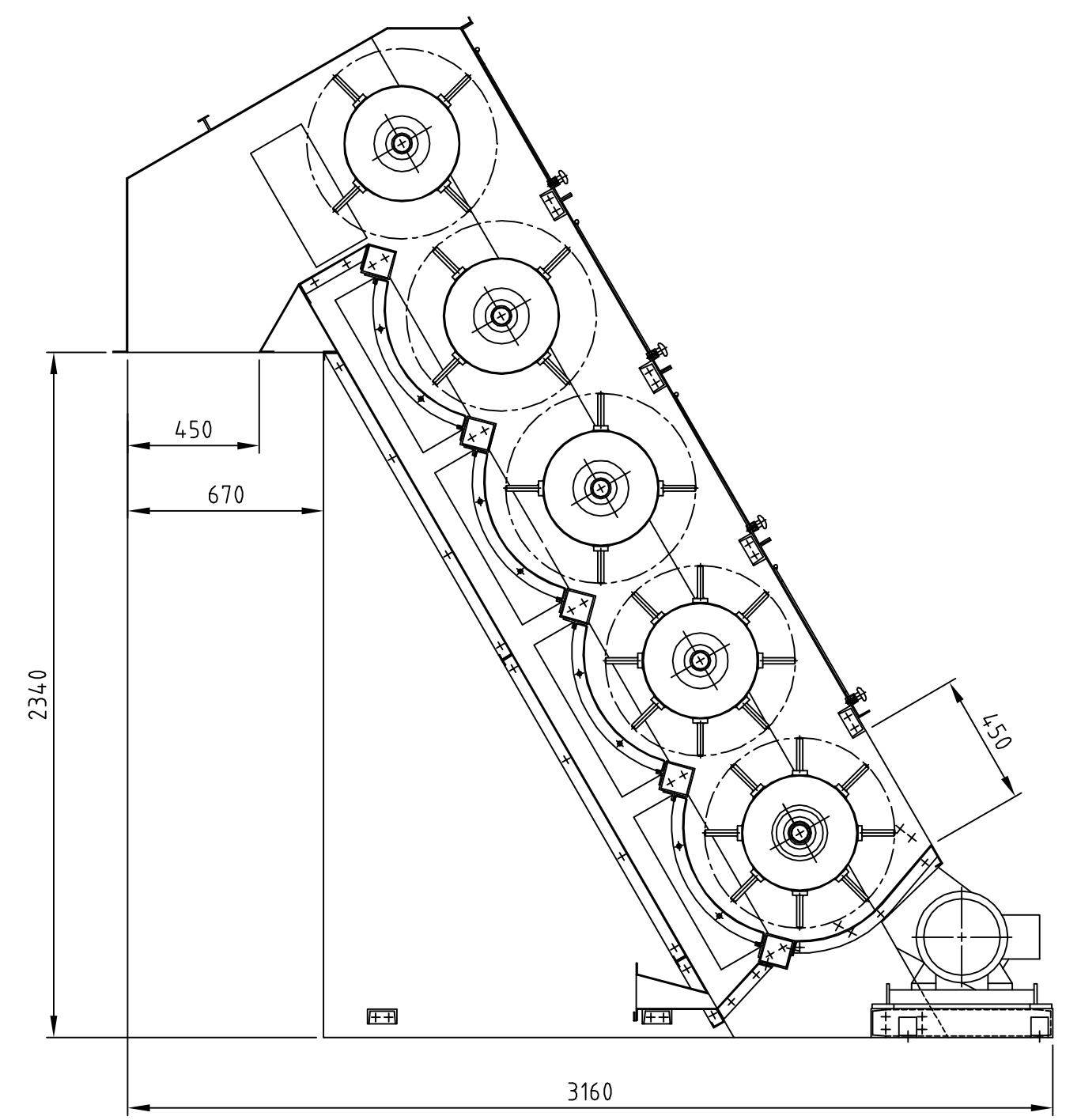


ELEVATION ON LH SIDE. (GUARD & HTD PULLEYS NOT SHOWN)



SECTIONAL ELEVATION THRO' CENTRE OF MACHINE

| Itemref | Quantity | Title/Name, designation, material, dimension etc | | | Article No./Reference | |
|--------------------|------------|--|---------------------|--------|-----------------------|--|
| Designed by | Checked by | Approved by - date | Filename | Date | Scale | |
| | NH | | J227-1 | | | |
| STEP CLEANER - SC1 | | | GENERAL ARRANGEMENT | | | |
| | | | J227/1 | Edtion | Sheet | |